

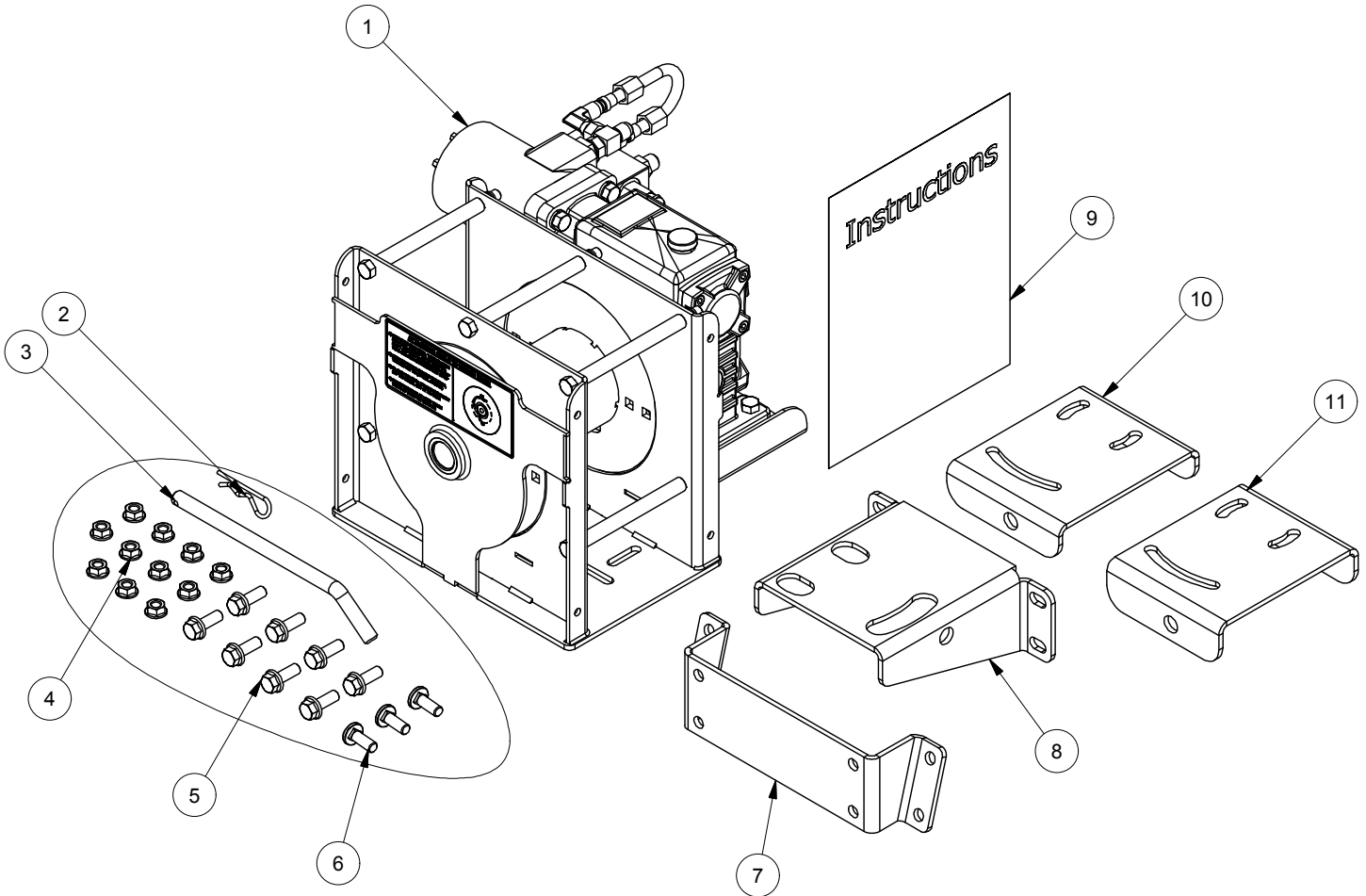


TO: Valued Dealers  
RE: SolK – HVST H10/13 & H10/13XT Hyd Winch  
DATE: 10-Oct-2017  
VERSION:  
KIT #: 13000008018-00

This **SERVICE BULLETIN** applies to **HVST H10, H13, H10XT and H13XT** augers equipped with a Hydraulic Winch.

# SolK - HVST H10/13 & H10/13XT Hyd Winch

Your kit will include the following parts:

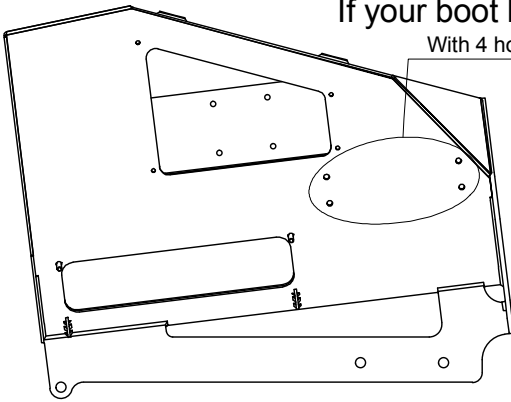


PARTS LIST OF PN# 13000008018-00			
REF #	PART #	QUANTITY	DESCRIPTION
1	13000007844-00	1	Winch - Hydraulic - 2500 LBs - Cequent 500610
2	13073902040	1	1/8" x 2 1/2" Hair Pin
3	1300010191-00	1	Pin - Bent - 1/2" x 7" Useable Length
4	13073100006	11	Nut, Hex, Flanged, Steel, Mild 3/8-16 UNC
5	13071206016	8	Bolt, Hex, Flanged, Steel, Mild 3/8-16 UNC X 1
6	13070906016SS	3	Carriage Bolt 3/8 x 1-16 Short Shank
7	1300013293-00	1	Bracket, Winch Mount, Infeed
8	13000007969-00	1	Bracket - Bottom Mount - Winch
9	13000008018-01	1	Instructions - Solution - HVST H10/13 & H10/13XT Hyd Winch
10	1300010251-00	1	Bracket - Hand Winch Retain HXXXX
11	13000007970-00	1	Bracket - Top Mount - Winch

# Solk - HVST H10/13 & H10/13XT Hyd Winch

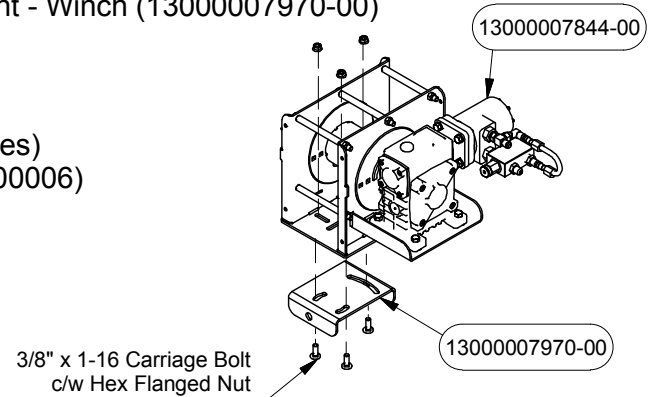
If your boot looks like this you will need the following parts:

With 4 holes on H10/13XT auger



1. Winch - Hydraulic - 2500 Lbs - Cequent 500610 (13000007844-00)
2. 1/8" x 2 1/2" Hair Pin (13073902040)
3. Pin - Bent - 1/2" x 7" Useable Length (1300010191-00)
4. 11 X Nut, Hex, Flanged, Steel, Mild 3/8-16 UNC (13073100006)
5. 8 X Bolt, Hex, Flanged, Steel, Mild 3/8-16 UNC X 1 (13071206016)
6. 3 X Carriage Bolt 3/8 x 1-16 Short Shank (13070906016SS)
7. Bracket, Winch MNT, Infeed (1300013293-00)
8. Bracket - Bottom Mont - Winch (13000007969-00)
11. Bracket - Top Mount - Winch (13000007970-00)

1. Attach Hydraulic Winch (13000007844-00) to Winch Top Mount Bracket (13000007970-00) (longer side plates) using 3 Carriage Bolts (13070906016SS) and 3 nuts (13073100006) as shown in Figure 1
2. Attach Winch Mount Bracket (13000013293-00) to the boot using 4 bolts (13071206016) and 4 nuts (13073100006) as shown in Figure 2
3. Attach Winch Bottom Mount Bracket (13000007969-00) to the Winch Mount Bracket (13000013293-00) using 4 bolts (13071206016) and 4 nuts (13073100006)
4. Place Winch Top Mount Bracket (13000007970-00) onto Winch Bottom Mount Bracket (13000007969-00) and align holes on side of plates
5. Secure Top Mount Bracket and Bottom Mount Bracket by placing the Bent Pin (1300010191-00) through the aligned holes as shown in Figure 3
6. Insert the Hair Pin (13073902040) into the Bent Pin (1300010191-00)
7. Spool existing cable as required



NOTE: 7970 has longer side plates  
Figure 1

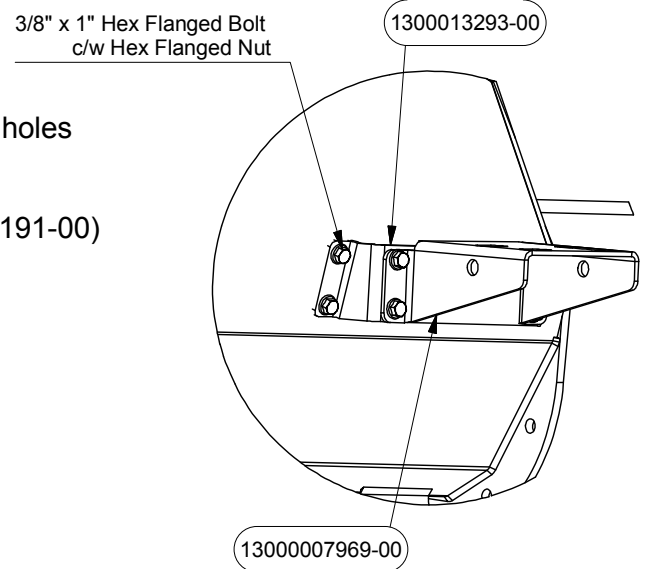


Figure 2

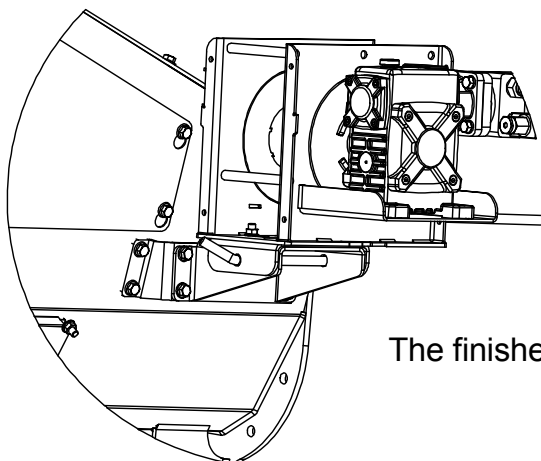


Figure 3

The finished assembly should resemble Figure 3

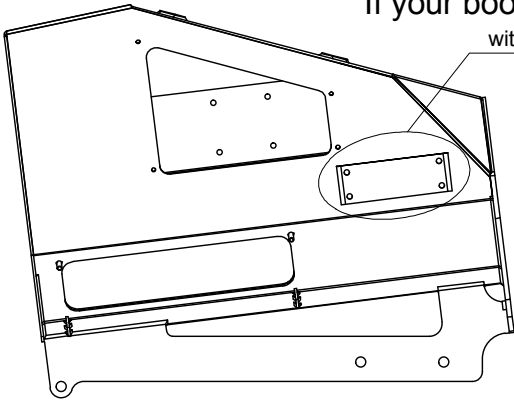
NOTE: This is for the right-hand installation of the Hydraulic Winch.  
For left-hand installation follow the same steps, but spool cable in reverse

# SolK - HVST H10/13 & H10/13XT Hyd Winch

If your boot looks like this you will need the following parts:

with welded on bracket on a H10/13XT auger

1. Winch - Hydraulic - 2500 Lbs - Cequent 500610 (13000007844-00)
2. 1/8" x 2 1/2" Hair Pin (13073902040)
3. Pin - Bent - 1/2" x 7" Useable Length (1300010191-00)
4. 7 X Nut, Hex, Flanged, Steel, Mild 3/8-16 UNC (13073100006)
5. 4 X Bolt, Hex, Flanged, Steel, Mild 3/8-16 UNC X 1 (13071206016)
6. 3 X Carriage Bolt 3/8 x 1-16 Short Shank (13070906016SS)
8. Bracket - Bottom Mount - Winch (13000007969-00)
11. Bracket - Top Mount - Winch (13000007970-00)



1. Attach Hydraulic Winch (13000007844-00) to Winch Top Mount Bracket (13000007970-00) (longer side plates) using 3 Carriage Bolts (13070906016SS) and 3 nuts (13073100006) as shown in Figure 4
2. Attach Winch Bottom Mount Bracket (13000007969-00) to the welded on bracket on the boot using 4 bolts (13071206016) and 4 nuts (13073100006) as shown in Figure 5
3. Place Winch Top Mount Bracket (13000007970-00) onto Winch Bottom Mount Bracket (13000007969-00) and align holes on side of plates
4. Secure Top Mount bracket and Bottom Mount Bracket by placing the Bent Pin (1300010191-00) through the aligned holes as shown in Figure 6
5. Insert the Hair Pin (13073902040) into the Bent Pin (1300010191-00)
6. Spool existing cable as required

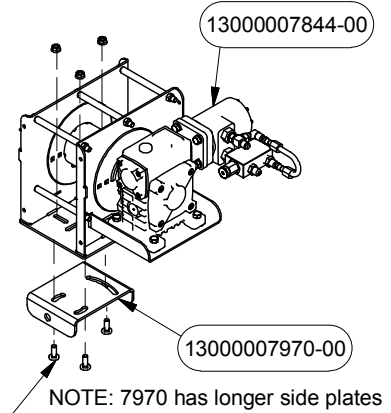


Figure 4

3/8" x 1" Hex Flanged Bolt c/w Hex Flanged Nut

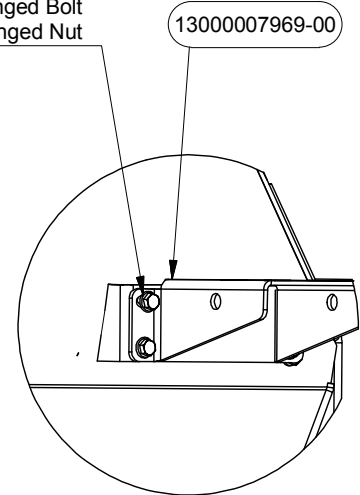


Figure 5

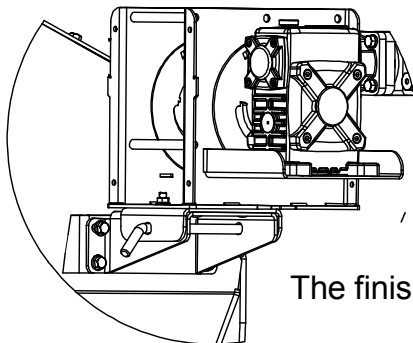


Figure 6

The finished assembly should resemble Figure 6

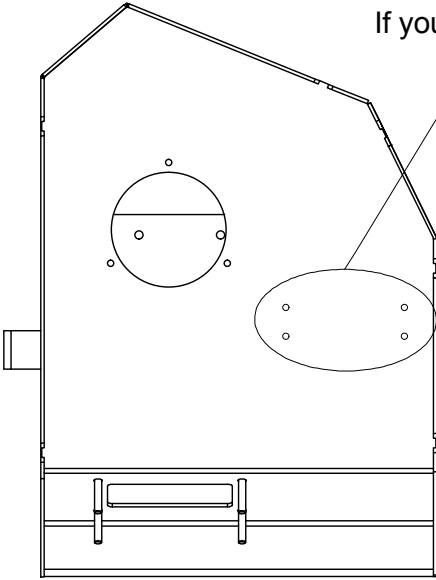
NOTE: This is for the right-hand installation of the Hydraulic Winch.  
For left-hand installation follow the same steps but, spool cable in reverse

# SolK - HVST H10/13 & H10/13XT Hyd Winch

If your boot looks like this you will need the following parts:

with 4 holes on a H10/13 auger

1. Winch - Hydraulic - 2500 Lbs - Cequent 500610 (13000007844-00)
2. 1/8" x 2 1/2" Hair Pin (13073902040)
3. Pin - Bent - 1/2" x 7" Useable Length (1300010191-00)
4. 7 X Nut, Hex, Flanged, Steel, Mild 3/8-16 UNC (13073100006)
5. 4 X Bolt, Hex, Flanged, Steel, Mild 3/8-16 UNC X 1 (13071206016)
6. 3 X Carriage Bolt 3/8 x 1-16 Short Shank (13070906016SS)
8. Bracket - Bottom Mont - Winch (13000007969-00)
11. Bracket - Top Mount - Winch (13000007970-00)



1. Attach Hydraulic Winch (13000007844-00) to Winch Top Mount Bracket (13000007970-00) (longer side plates) using 3 Carriage Bolts (13070906016SS) and 3 nuts (13073100006) as shown in Figure 7
2. Attach Winch Bottom Mount Bracket (13000007969-00) to the boot using 4 bolts (13071206016) and 4 nuts (13073100006) as shown in Figure 8
3. Place Winch Top Mount Bracket (13000007970-00) onto Winch Bottom Mount Bracket (13000007969-00) and align holes on side of plates
4. Secure Top Mount Bracket and Bottom Mount Bracket by placing the Bent Pin (1300010191-00) through the aligned holes as shown in Figure 9
5. Insert the Hair Pin (13073902040) into the Bent Pin (1300010191-00)
6. Spool existing cable as required

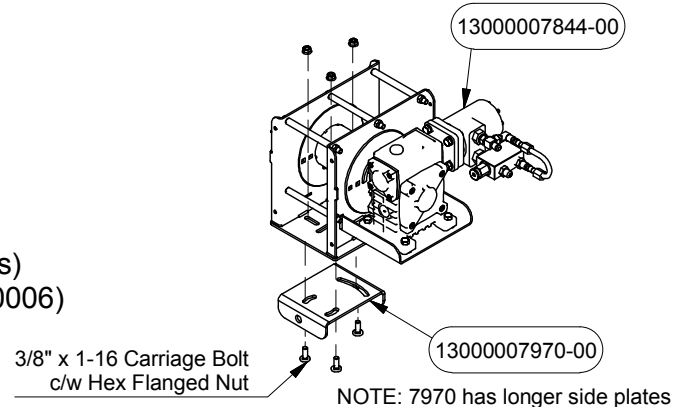


Figure 7

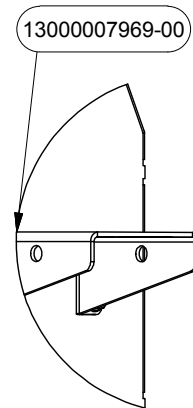


Figure 8

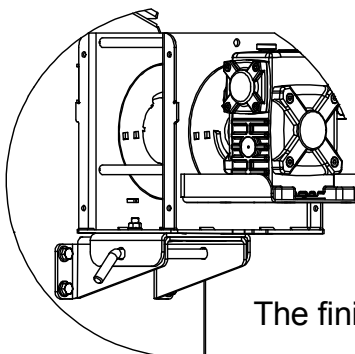
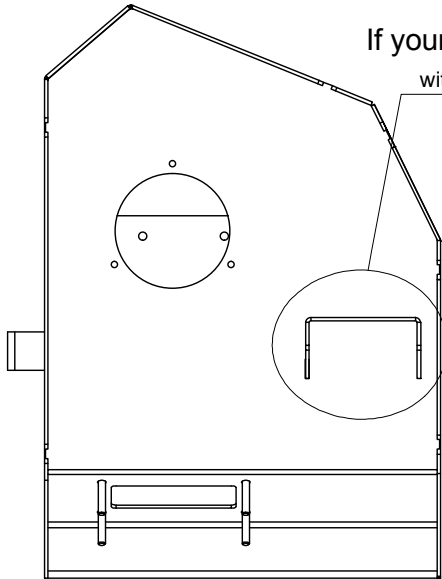


Figure 9

The finished assembly should resemble Figure 9

NOTE: This is for the right-hand installation of the Hydraulic Winch.  
For left-hand installation follow the same steps, but spool cable in reverse

# SolK - HVST H10/13 & H10/13XT Hyd Winch

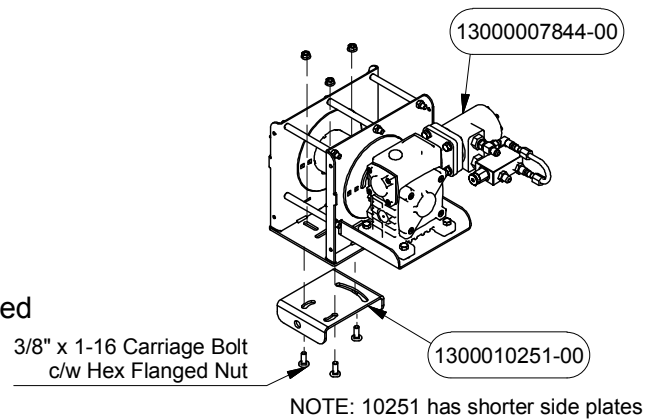


If your boot looks like this you will need the following parts:

with a welded on plate on a H10/13 auger

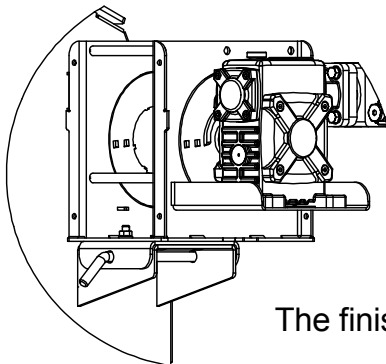
1. Winch - Hydraulic - 2500 Lbs - Cequent 500610 (13000007844-00)
2. 1/8" x 2 1/2" Hair Pin (13073902040)
3. Pin - Bent - 1/2" x 7" Useable Length (1300010191-00)
6. 3 X Carriage Bolt 3/8 x 1-16 Short Shank (13070906016SS)
10. Bracket - Hand Winch Retain HXXXX (1300010251-00)

1. Attach Hydraulic Winch (13000007844-00) to Winch Top Mount Bracket (1300010251-00) (shorter side plates) using 3 Carriage Bolts (13070906016SS) and 3 nuts (13073100006) as shown in Figure 10
2. Place Winch Top Mount Bracket (1300010251-00) onto the welded on bracket on the boot and align holes on side of plates
3. Secure Top Mount Bracket and Bottom Mount Bracket by placing the Bent Pin (1300010191-00) through the aligned holes as shown in Figure 11
4. Insert the Hair Pin (13073902040) into the Bent Pin (1300010191-00)
5. Spool existing cable as required



NOTE: 10251 has shorter side plates

Figure 10



The finished assembly should resemble Figure 11

Figure 11

NOTE: This is for the right-hand installation of the Hydraulic Winch.  
For left-hand installation follow the same steps, but spool cable in reverse