



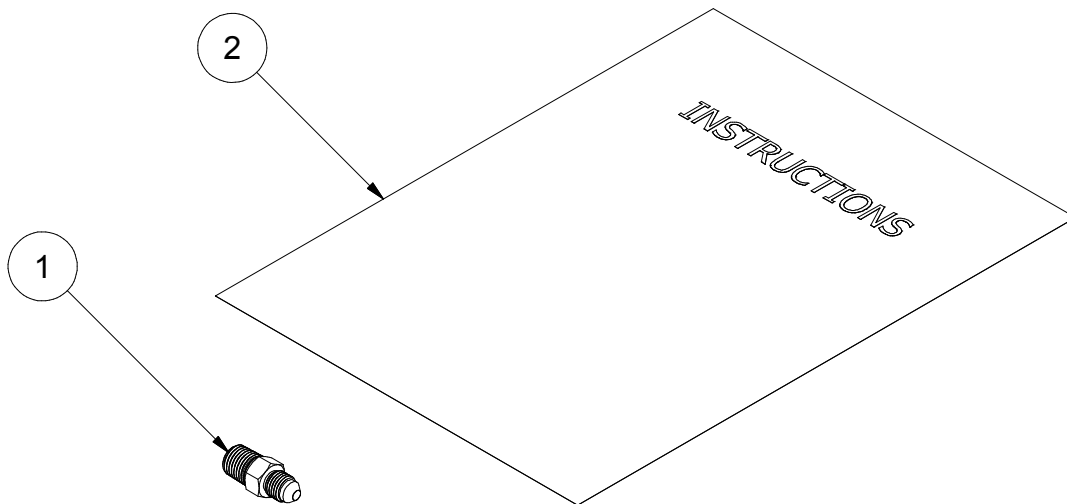
TO: Valued Dealers
RE: SoLK HVST H10XT Hydraulic Orifice Fitting
DATE: 09-Apr-2018
VERSION: 1
KIT #: 13000008162-00

This **SERVICE BULLETIN** applies to the **Harvest By Meridian H10XT** product offering. Ensure this Solution is installed so that the Auger doesn't suddenly collapse in the case of Hydraulic failure.

SolK HVST H10XT Hydraulic Orifice Fitting

This kit will include the following components:

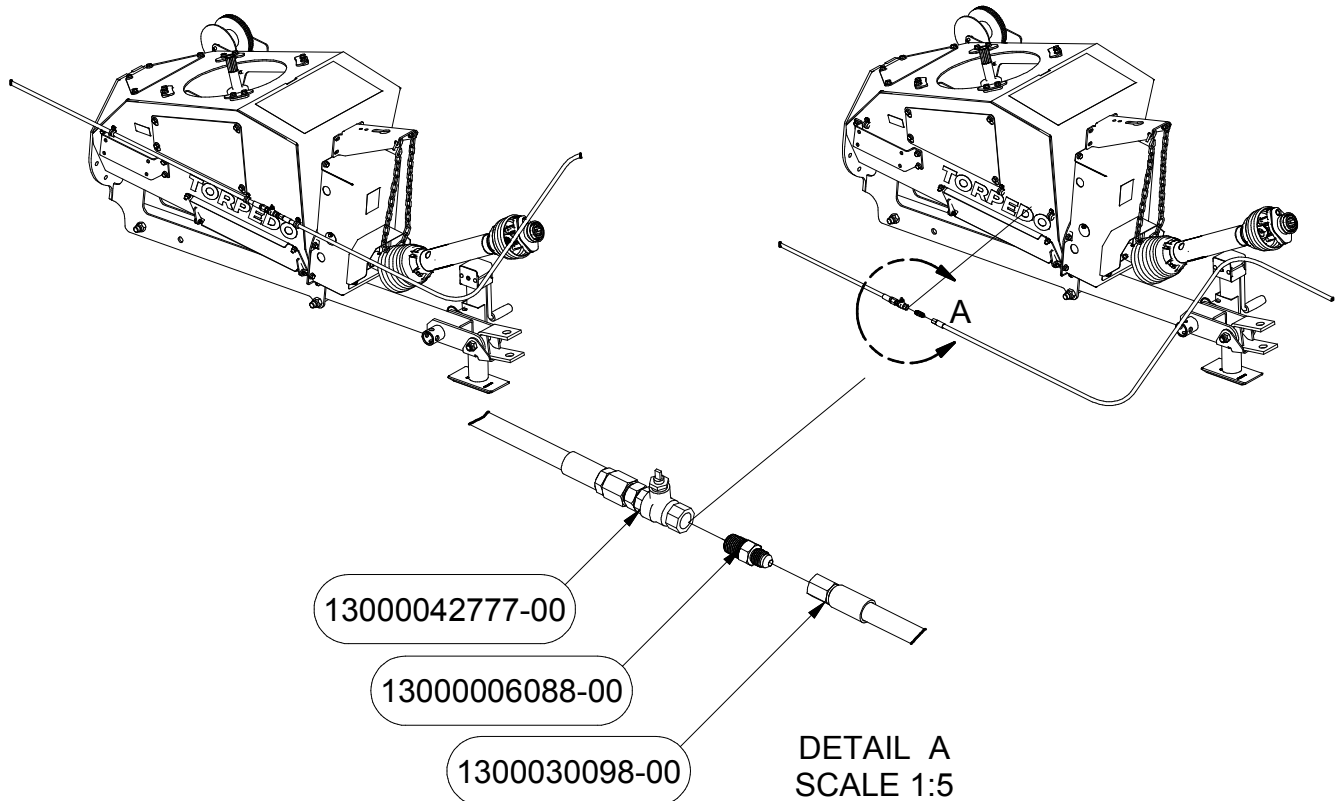
If any parts are missing, contact Meridian Warranty @ 1-306-373-8448.



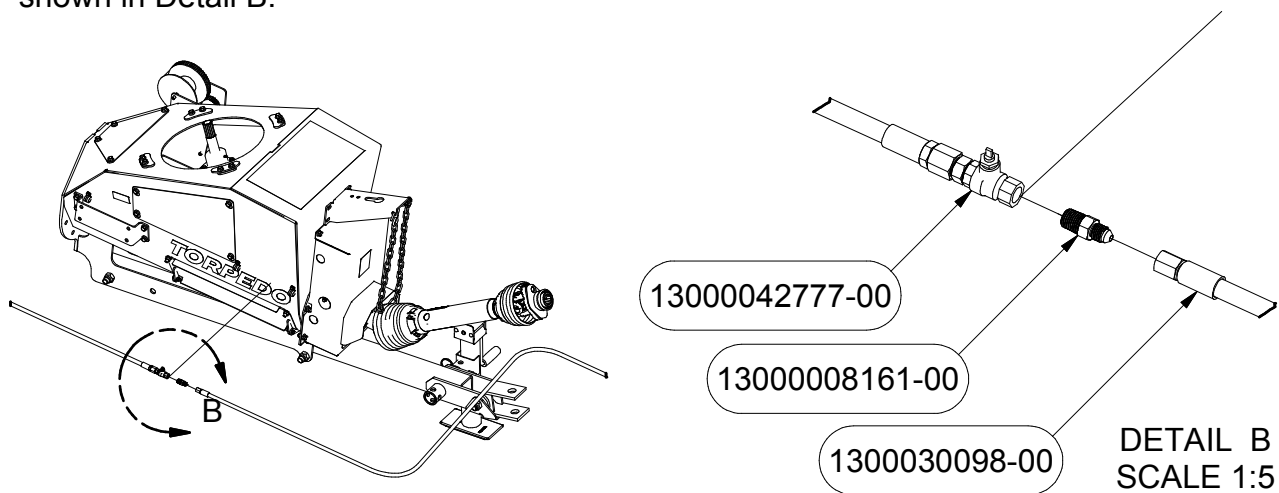
PARTS LIST OF PN# 13000008162-00			
REF #	PART #	QUANTITY	DESCRIPTION
1	13000008161-00	1	Fitting Hydraulic (4MP-4MJ Orifice)
2	13000008162-01	1	Instructions SolK HVST H10XT Hydraulic Orifice Fitting

Solk HVST H10XT Hydraulic Orifice Fitting

1. Drain the Hydraulic Fluid from the Hoses for ease of operation.
2. Remove Hydraulic Fitting 13000006088 (4MJ-4MP) between the hose and the Valve as shown in Detail A.



3. Attach Hydraulic Fitting 13000008161 (4MJ-4MP Orifice) between the hose and the Valve as shown in Detail B.



4. Run the hydraulics and check for leaks.
 - a. If any leaks occur, stop testing and tighten the fittings. Test for leaks again.