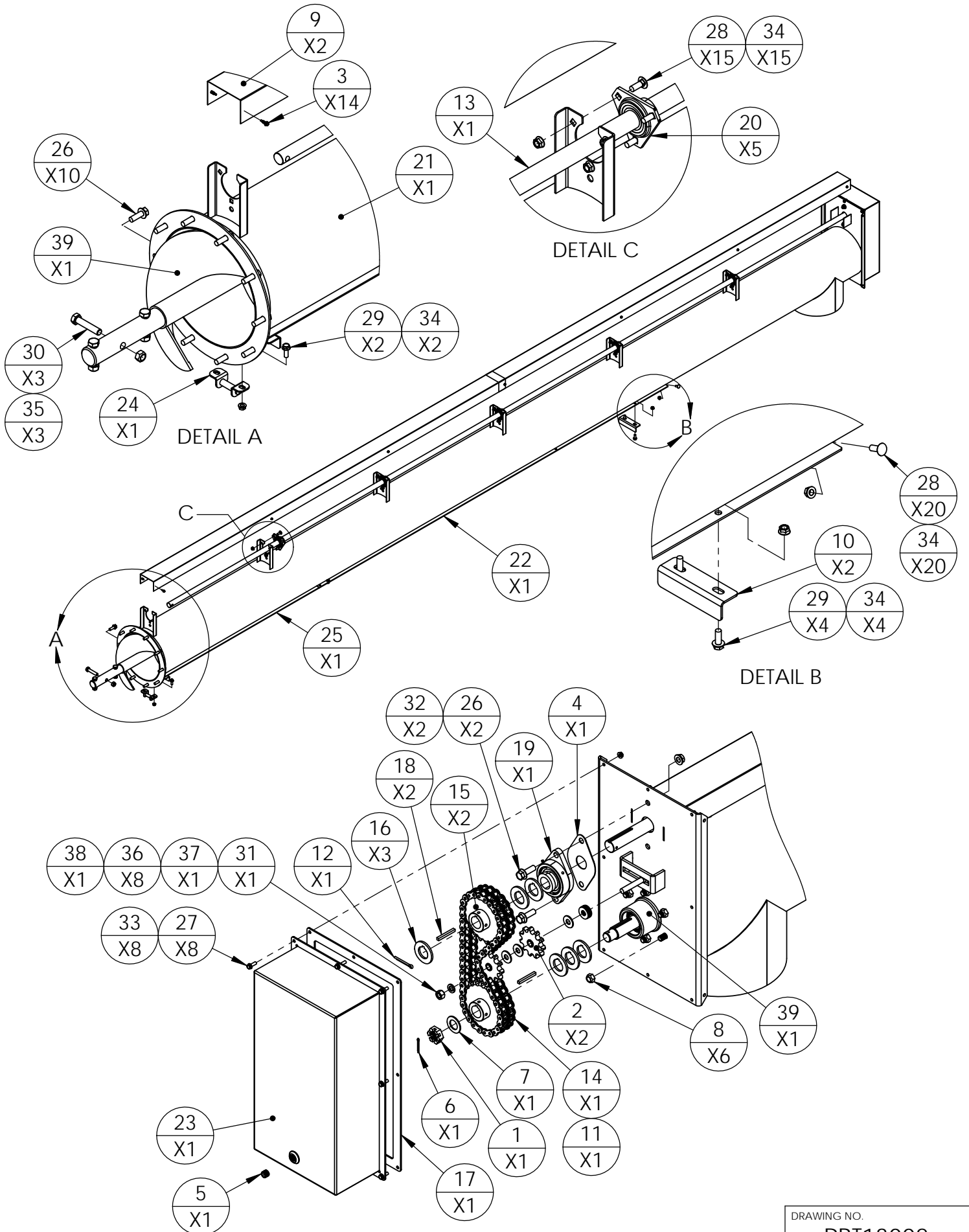


ITEM NO.	PART NO.	DESCRIPTION	QTY
1	10627	CLAMP, CABLE, 5/16"	4
2	11850	CABLE, LIFT, 9/32" X 40FT, T1342	1
3	PBT13002	TUBE ASSEMBLY, DISCHARGE, T1332, T1342	1
4	PBT13008	TUBE ASSEMBLY, INFED, T1342	1
5	PBT13009	CARRIAGE ASSEMBLY, T1342	1

REV
A

AUGER MODEL(S)
T1332 & T1342

PART/ASSEMBLY DESCRIPTION
TUBE ASSEMBLY, DISCHARGE, T1332, T1342



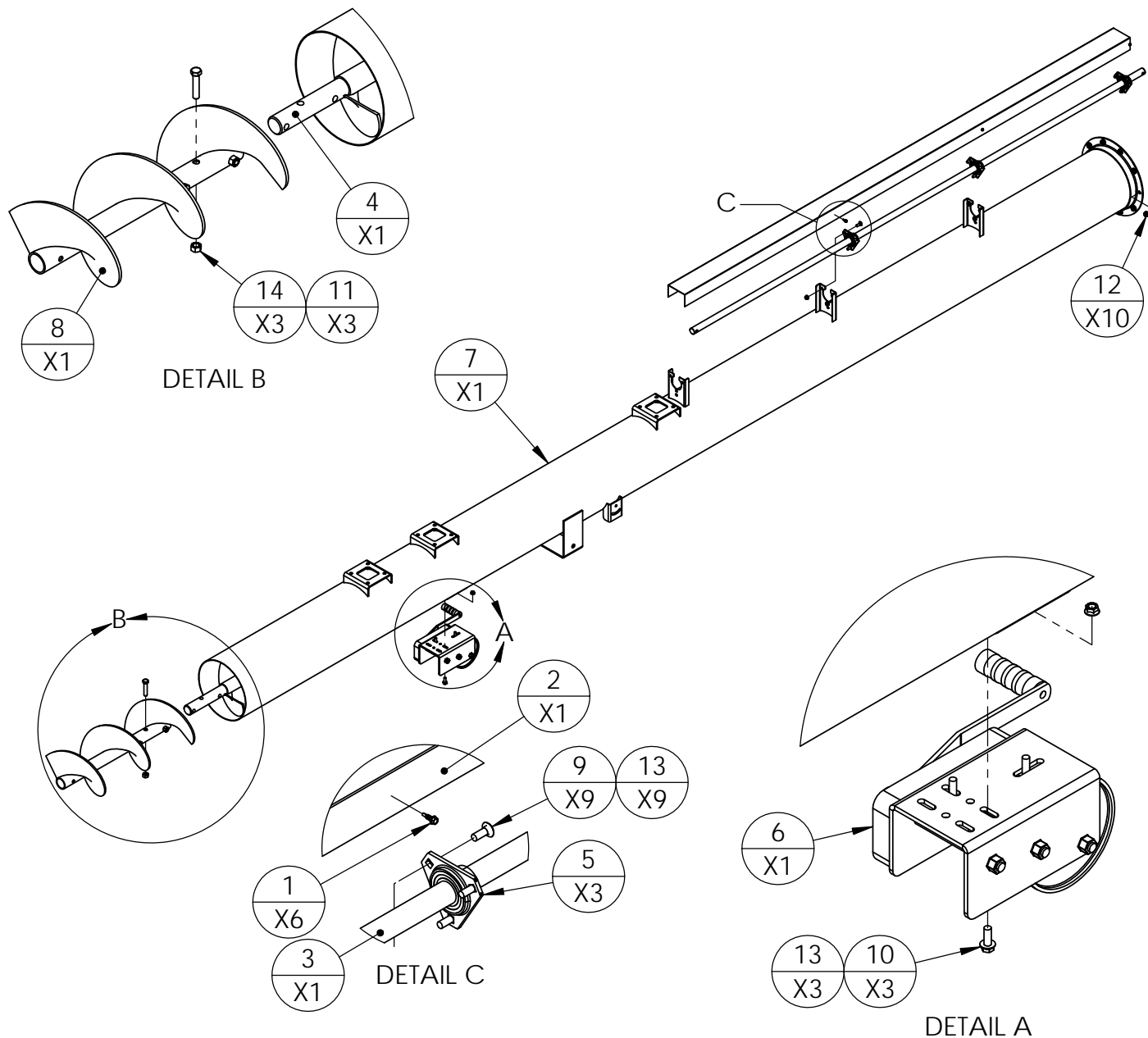
DRAWING NO.
PBT13002

REV A	AUGER MODEL(S) T1332 & T1342	PART/ASSEMBLY DESCRIPTION TUBE ASSEMBLY, DISCHARGE, T1332, T1342
----------	---------------------------------	---

ITEM NO.	PART NO.	DESCRIPTION	QTY
1	10242	NUT, CASTLE, BEARING RETAIN, HUB ASSEMBLY	1
2	10300	SPROCKET, IDLER, 11 TOOTH, 1/2" BORE	2
3	10304	SCREW, SELF TAPPING, #12 x 3/4"	14
4	10335	GASKET, UPPER BEARING, T1052, T13XX	1
5	10339	PLUG, 3/8" NPT, FOR OIL BATH CHAIN CASE	1
6	10426	PIN, COTTER, .125"x1.5"	1
7	10428	WASHER, 1", SPINDLE, PLAIN	1
8	10434	NUT, 1/2-20, 60 DEGREE LUG NUT, ZINC	6
9	10942	SHIELD, LONG, DRIVE SHAFT, T AUGERS	2
10	10959	STOP, LIFT ROLLER, T AUGERS	2
11	11328	LINK, CONNECTOR, DOUBLE 60	1
12	11362	PIN, COTTER, 3/16 X 2"	1
13	11605	SHAFT, DRIVE, UPPER, T1332	1
14	11606	CHAIN, ROLLER, DOUBLE#60 X 52 ROLLERS	1
15	11607	SPROCKET, 1.25" BORE, D60B20H, W/SET SCREWS	2
16	11608	SPACER, DRIVE SHAFT, 1-1/4"	6
17	11609	SEAL,(GASKET) CHAIN GUARD COVER,T13XX	1
18	11615	KEY, 1/4 X 2-1/4", SQUARE	2
19	30553	1.25" 2 BOLT CAST FLANGE WITH BEARING	1
20	30557	1.25" 3 BOLT FLANGETEE W/BEARING	5
21	30943	TUBE ASM, DISCHARGE, T1332 & T1342	1
22	30944	RAIL ASSEMBLY, T1332	1
23	30952	HOUSING, CHAIN GUARD, WITH PLUG, T13XX	1
24	30993	CABLE STOP, BOLT ON, T AUGERS	1
25	31011	RAIL ASSEMBLY, SHORT, T13XX	1
26	40005	BOLT, 1/2-13UNC X 1-1/2" HEX FLANGE, GRD 5, ZINC	12
27	40014	BOLT, 1/4-20UNC X 3/4" HEX FLANGE, GRD 5, ZINC	8
28	40024	BOLT, 3/8-16UNC X 1" CARRIAGE, GRD 5, ZINC	35
29	40025	BOLT, 3/8-16UNC X 1" HEX FLANGE, GRD 5, ZINC	6
30	40043	BOLT, 5/8-11UNC X 3" HEX, GR5, ZINC	3
31	40046	NUT, 1/2-13UNC, GRD 5, ZINC	1
32	40047	NUT, 1/2-13UNC, HEX FLANGE, GRD 5, ZINC	2
33	40049	NUT, 1/4-20UNC, HEX FLANGE, GRD 5, ZINC	8
34	40056	NUT, 3/8-16UNC, HEX FLANGE, GRD 5, ZINC	41
35	40062	NUT, 5/8-11UNC, HEX, TOPLOCK, ZINC	3
36	40066	WASHER, FLAT, 1/2", ZINC	8
37	40072	WASHER, LOCK, 1/2" SPLIT, ZINC	1
38	40132	BOLT, 1/2-13UNC X 3" CARRIAGE, GRD 5, ZINC	1
39	PB30945	FLIGHTING ASSEMBLY, UPPER, T13XX	1

DRAWING NO.
PBT13002

REV

AUGER MODEL(S)
T1342PART/ASSEMBLY DESCRIPTION
TUBE ASSEMBLY, INFFED, T1342

ITEM NO.	PART NO.	DESCRIPTION	QTY
1	10304	SCREW, SELF TAPPING, #12 x 3/4"	6
2	10942	SHIELD, LONG, DRIVE SHAFT, T AUGERS	1
3	11846	SHAFT, TOP DRIVE, MID, T1342	1
4	30430	FLIGHTING SECTION ASM, REGULAR, H13XX	1
5	30557	1.25" 3 BOLT FLANGETEE W/BEARING	3
6	30978	WINCH, 2500 LB, HAND BRAKE, T1062	1
7	31029	TUBE ASSEMBLY, INFEED, T1342	1
8	31030	FLIGHTING ASM, INFEED, T1342	1
9	40024	BOLT, 3/8-16UNC X 1" CARRIAGE, GRD 5, ZINC	9
10	40025	BOLT, 3/8-16UNC X 1" HEX FLANGE, GRD 5, ZINC	3
11	40043	BOLT, 5/8-11UNC X 3" HEX, GR5, ZINC	3
12	40047	NUT, 1/2-13UNC, HEX FLANGE, GRD 5, ZINC	10
13	40056	NUT, 3/8-16UNC, HEX FLANGE, GRD 5, ZINC	12
14	40062	NUT, 5/8-11UNC, HEX, TOPLOCK, ZINC	3

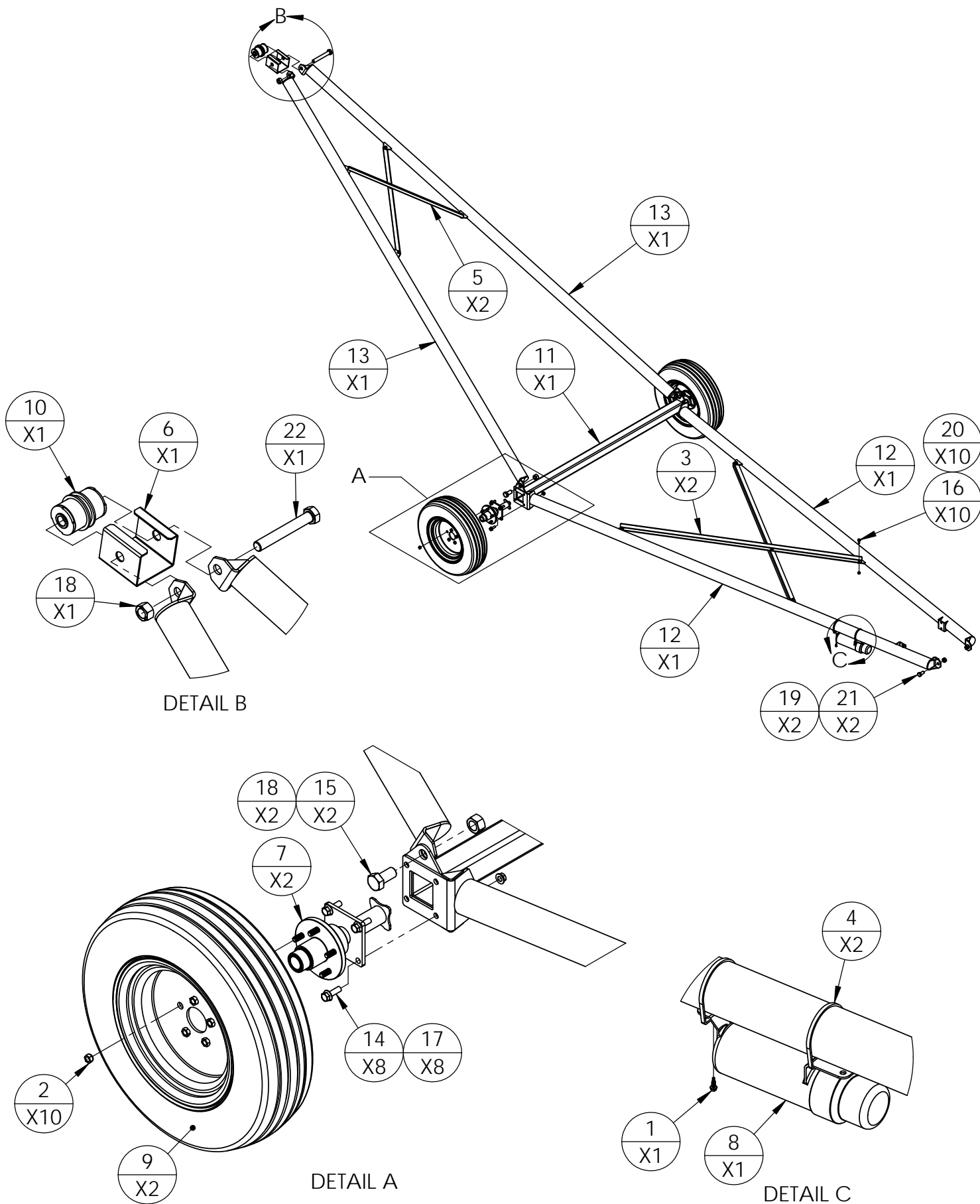
DRAWING NO.

PBT13008

REV

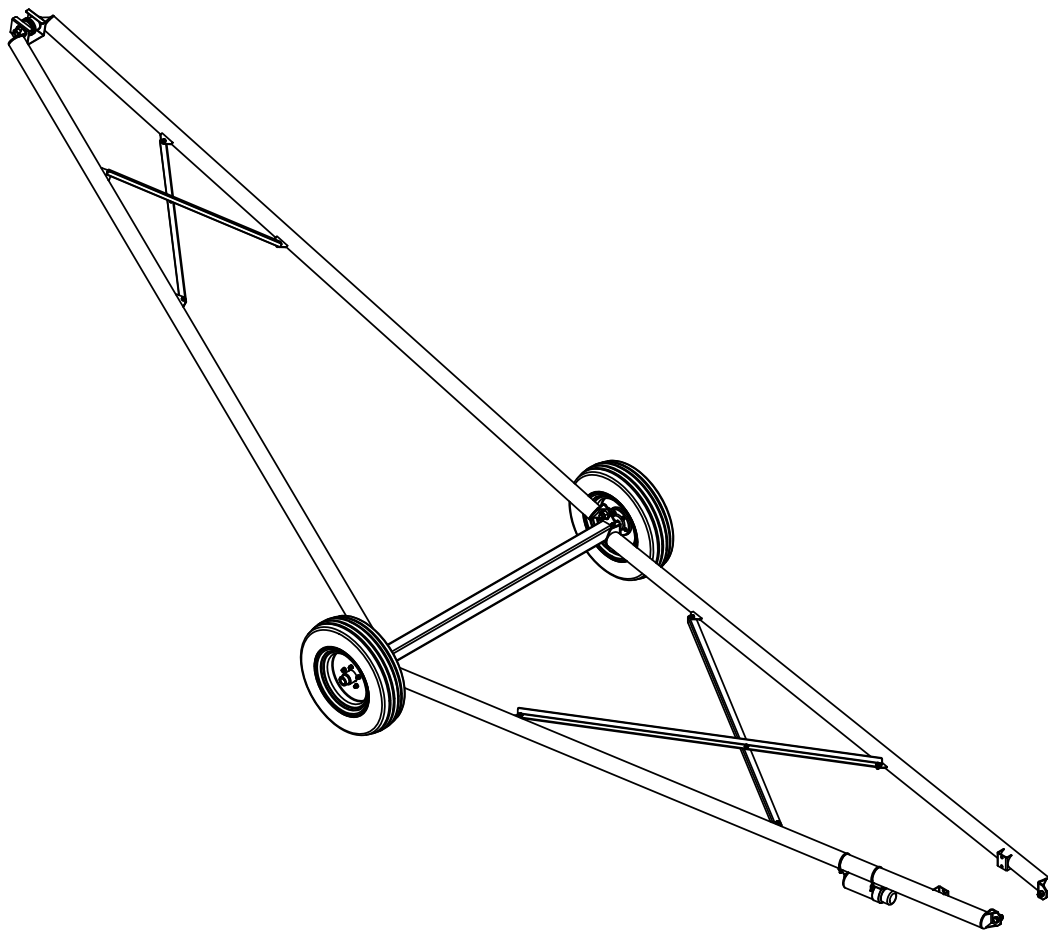
AUGER MODEL(S)
T1342

PART/ASSEMBLY DESCRIPTION
CARRIAGE ASSEMBLY, T1342



DRAWING NO.
PBT13009

REV

AUGER MODEL(S)
T1342PART/ASSEMBLY DESCRIPTION
CARRIAGE ASSEMBLY, T1342

ITEM NO.	PART NO.	DESCRIPTION	QTY
1	10304	SCREW, SELF TAPPING, #12 x 3/4"	1
2	10434	NUT, 1/2-20, 60 DEGREE LUG NUT, ZINC	10
3	10693	X-BRACE, SUPPORT ARMS, A10XX	2
4	10960	ZIP TIE, MANUAL CANISTER MOUNT	2
5	10988	BRACE, X, T1042, T842, T836	2
6	11673	HOUSING, LIFT ROLLER, T AUGERS	1
7	30084	SPINDLE, ASSEMBLY, 10" AUGERS	2
8	30102	CANISTER, OWNERS MANUAL	1
9	30103	205/75 x 15" BIAS PLY TIRE & 5 BOLT RIM ASM	2
10	30971	ROLLER, LIFT, T1062 & T1072	1
11	31037	AXLE ASSEMBLY, T1342	1
12	31038	TUBE ASSEMBLY, CARRIAGE ARM, T1342	2
13	31039	TUBE ASSEMBLY, LIFT ARM, T1342	2
14	40005	BOLT, 1/2-13UNC X 1-1/2" HEX FLANGE, GRD 5, ZINC	8
15	40016	BOLT, 1-8UNC X 2 HEX, GRD 5, ZINC	2
16	40025	BOLT, 3/8-16UNC X 1" HEX FLANGE, GRD 5, ZINC	10
17	40047	NUT, 1/2-13UNC, HEX FLANGE, GRD 5, ZINC	8
18	40052	NUT, 1-8UNC, HEX, TOPLOCK, ZINC	3
19	40055	NUT, 3/4-10UNC, HEX, TOPLOCK, ZINC	2
20	40056	NUT, 3/8-16UNC, HEX FLANGE, GRD 5, ZINC	10
21	40090	BOLT, 3/4-10UNC x 1-1/2", HEX, GRD 5, ZINC	2
22	40122	BOLT, 1-8UNC X 7 HEX, GRD 5, ZINC	1

DRAWING NO.

PBT13009