



## T832 & T1032 HYDRAULIC DRIVE OPTION, INSTALLATION INSTRUCTIONS

**THIS OPTION REQUIRES 1750PSI AND 20GPM OIL FLOW**

**Do not operate with guards missing!**

**Read and understand all instructions pertaining to this option, prior to operation!**

### **Step #1**

Remove the pto shaft, pto shaft transport support, pto guard, gearbox, shields and shafts as shown below. (note if converting from electric drive, remove all bracket and shield as shown below, bearing # 30551, will have to be installed on the 1<sup>st</sup> mount bracket)



**Step #2**

Install shaft # 11562 (1" x 42-5/16" long) into the existing shaft coupler, through the 1 inch flange bearing, do not lock the lock collar on the bearing, yet. Install the 3/8" x 2 hex bolt and nut. Install the chain coupler using a the 1/4" x 1-1/2" key. Do not tighten the set screws yet.



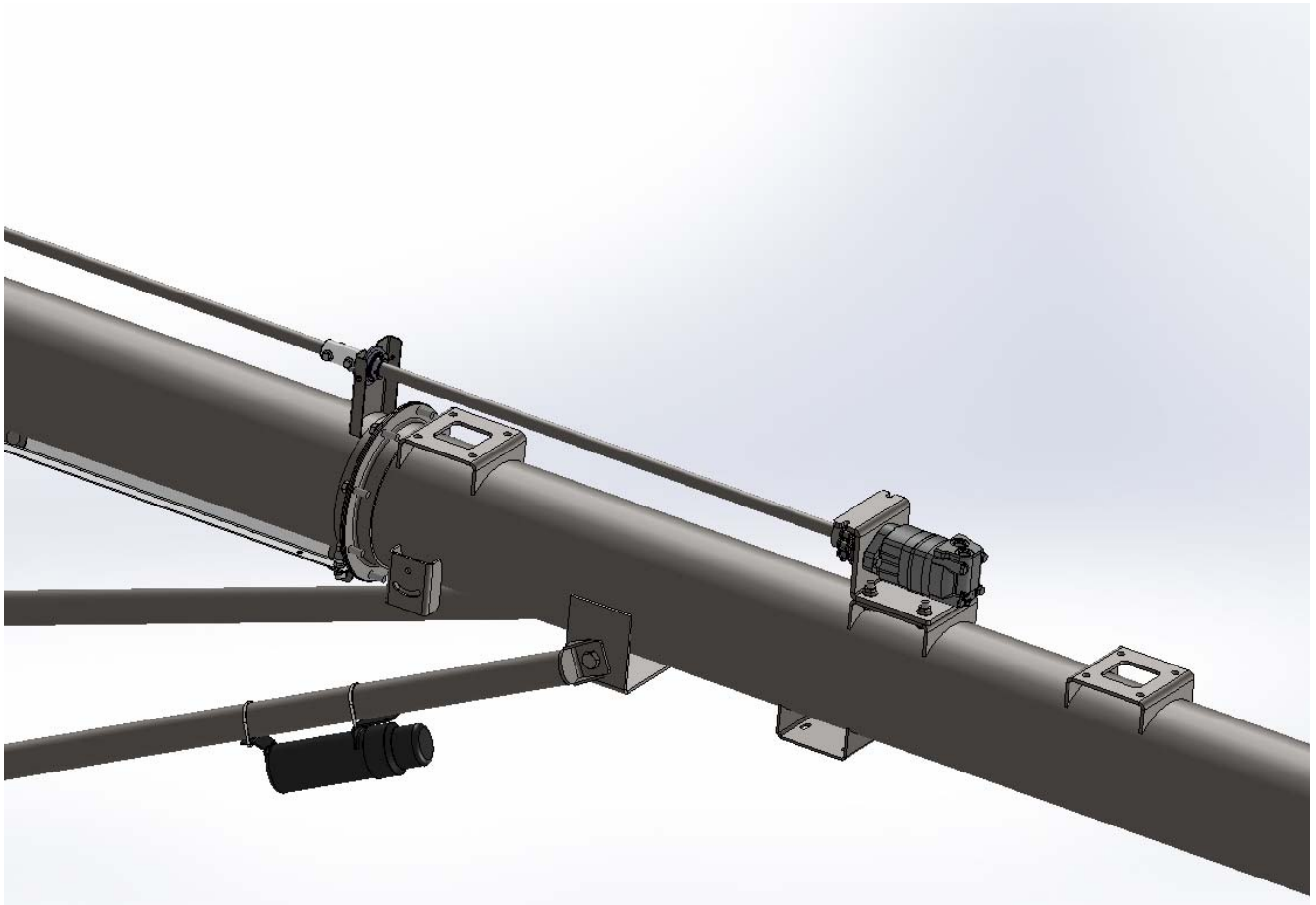
**Step #3**

Install the hydraulic motor mount bracket. Bolt in place with (4) ½ x 1-1/2 hex flange bolts and (4) 1/2" hex flange nuts. (Note, use the center bearbox mount bracket as shown)



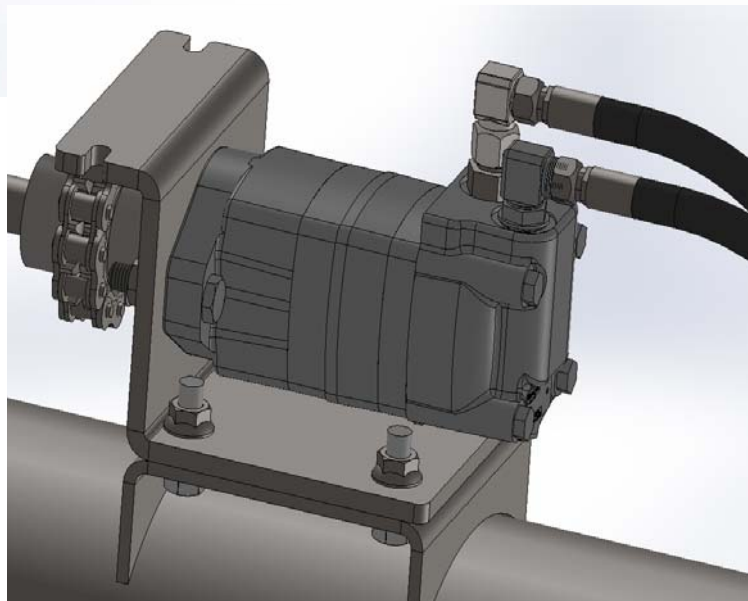
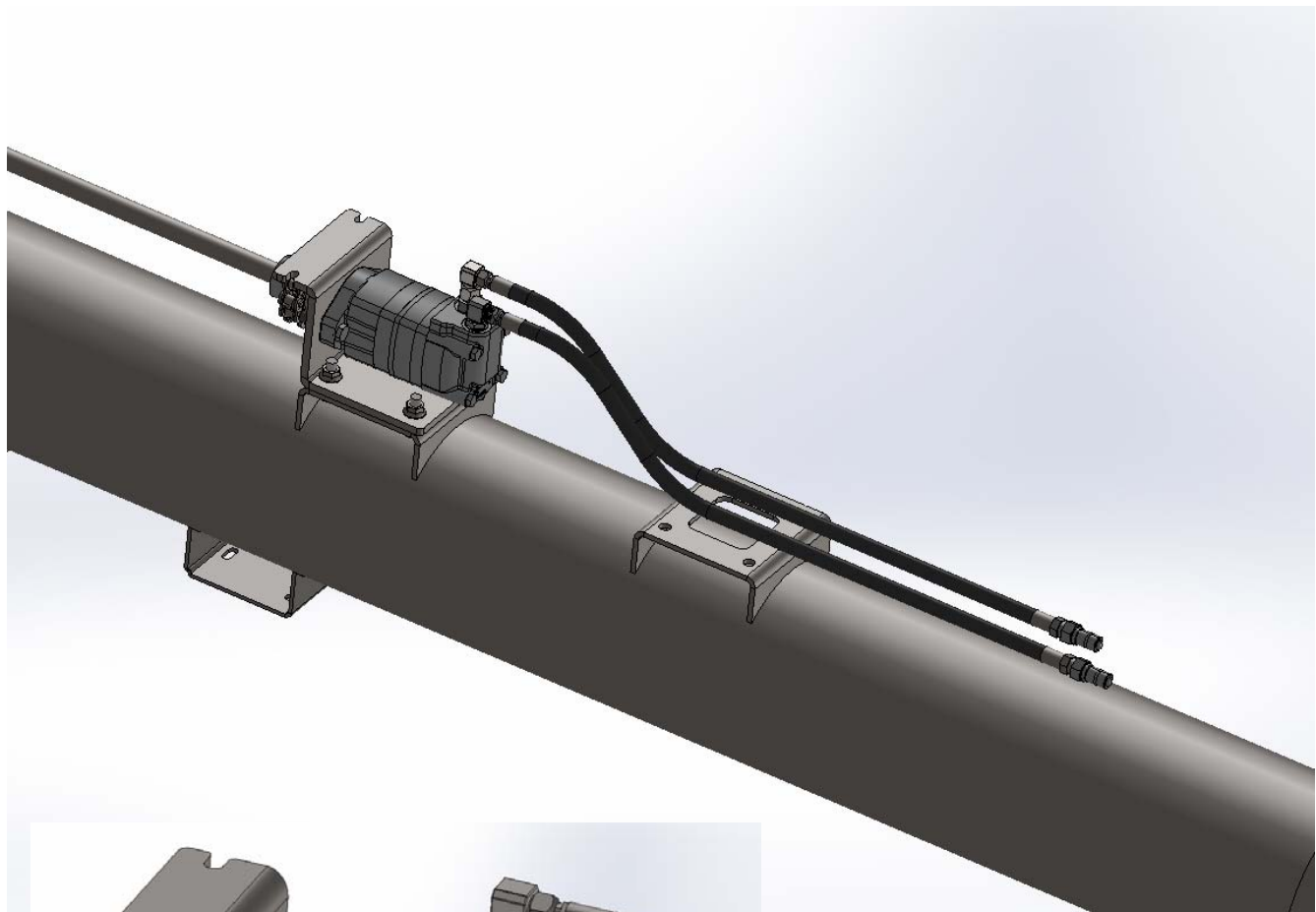
## Step #4

Install the hydraulic motor by slideing the motor and supplied 5/16 x 1-1/4" key into the chain coupler, aling the motor mount bolt holes and fasten with (2) 1/2 " x 2" hex bolts and flange nuts. (NOTE THE PORT LOCATIONS MUST POINT UP ON THE HYDRAULIC MOTOR) Tighten all bolts, lock collar, and set screws.



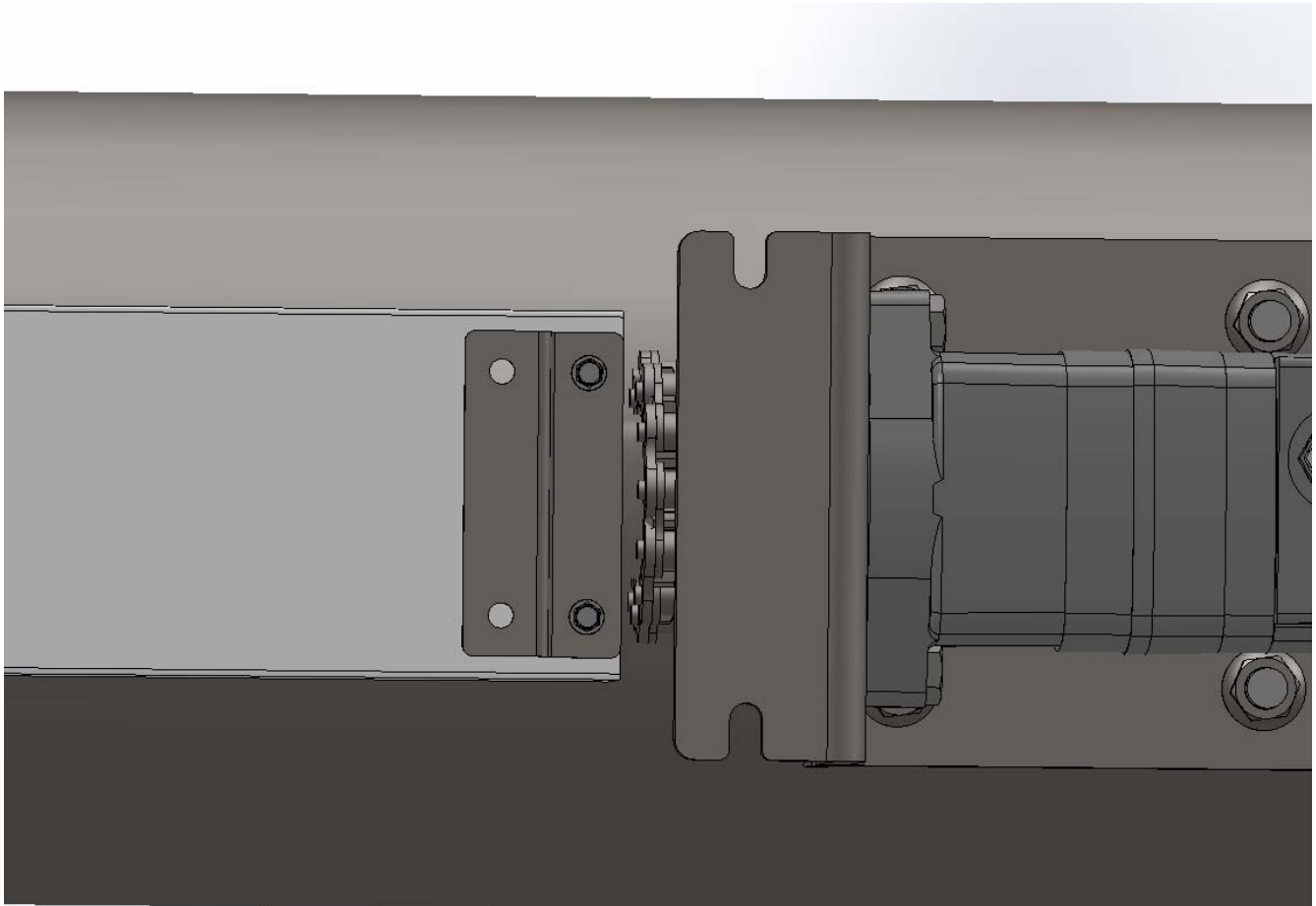
**Step #5**

Install the hydraulic hose fittings, hoses and couplers as shown, (NOTE THE SAE MALE COUPLERS ARE PIPE THREAD, USE SUPPLIED THREAD SEALER)



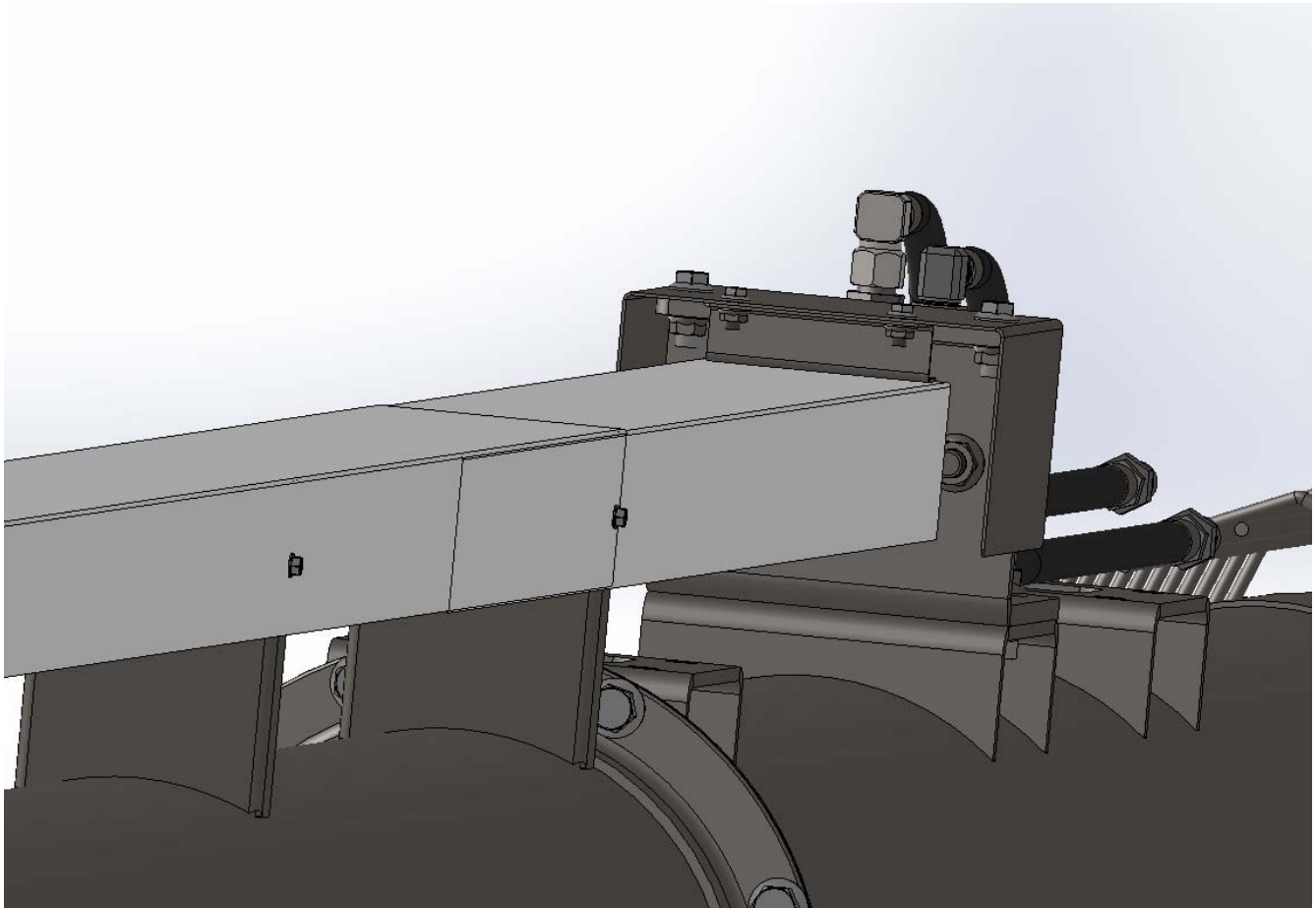
**Step #6**

Using the supplied #12 x 3/4" self tapping screws, mount part #11826, shield mount bracket to the short existing shield. The mount bracket must be centered on the shield and flush with the end of the shield. Note use the small holes in the "z" shape mount bracket.



**Step #7**

Mount the chain coupler guard using (2) 3/8" x 1" hex flange bolts and nuts, through the motor mount top flange. Tighten these bolts once installed. Next install the shield using 1/4" x 1/2" hex flange bolts and nuts. Once these are installed and tightened reinstall the remaining shield mount screws, up the auger tube.





### **Step #8**

After all guards, shields, and bolts have been installed and tightened, attach the hoses to the tractor hydraulic remotes and slowly engage the hydraulic oil to the system. If any leaks are detected, **DO NOT PUT ANY BODY PARTS NEAR THE LEAKING OIL, INJURY WILL OCCUR**, slowly disengage the hydraulic oil flow to the motor, fix the leak and retest.

**Note, to prevent auger damage, the hydraulic oil flow to the motor must be slowly disengaged!**